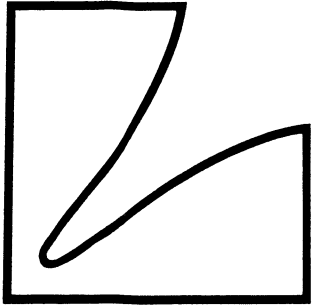




For more Hi-Fi manuals and set-up information
please visit www.hifiengine.com



SOLID STATE POWER AMPLIFIER _____

M-2000

SERVICE MANUAL

CIRCUIT DESCRIPTION

We are sure that you could understand an entire circuitry more precisely by use of the diagram of power amp section together with the whole block diagram. As for the signal paths, both channels are identical with only the difference of the TR number. Therefore only the left channel diagram is shown, and explanation is made accordingly. Transistors are marked with Q.

1) Emitter Follower Circuit

Output signals of a control amplifier etc. are led to the input terminals (MAIN IN) of this power amp, and level-controlled at the input level control of a detent volume equivalent to the high-grade attenuator with 22 contact-points of 1dB decrement. Then fed into the Emitter Follower Circuit, which is, different from the ordinary one, composed by two transistors Q101 and Q102. The former is for emitter follower of Q101.

Signals are impedance-converted through this circuit, and therefore electrical isolation is made between the output stage of a control amp and the pre-driver circuit of this amplifier to eliminate interference between both circuits. Thus stable amplification with low distortion is attained.

2) Pre-Driver Circuit

Signals converted into low impedance at emitter follower circuit are then fed to the two-stage differential amplifier, a kind of balanced DC amplifying circuit, to meet voltage amplification. The differential amplifier is always stable against possible fluctuation of mains voltage and temperature drift, and has been widely used as Operational Amplifier with IC's in computers or measurement instruments etc. The two PNP transistors Q201, Q202 for the 1st stage differentail amplifier are arranged quite symmetrically, and the emitter of the both transistors are connected to (+) power supply through a common resistor. The base of Q201 accepts the input signal, while that of Q202 accepts the feedback signal. Due to adoption of the two transistors of the same standard, equivalent current is to the base of the both transistors. As emitter current for two pieces will rise up accordingly, which corresponds to negative feedback. On the other hand, if subtle (+) potential may appear at the speaker terminals by the drift of transistors caused by other factors but signals, for instance, the raise up of temperature, this (+) potential is led to the base of Q202 via the feedback circuit, when (+) signal of the same phase will appear at the emitter resistor. In this case, the potential at the emitter resistor of Q201 varies to (+), which reduces the collector current to have (-) potential at collector. The voltage is amplified by the 2nd differential amplifier by the 2nd differential amplifier Q203, Q204, which makes the (+) potential stable at the speaker terminals, and makes it possible to keep balanced 0 potential.

The 2nd differential amplifier operates same as the 1st one, though not perfectly symmetrical. The constant current drive by Q205 is applied, since this stage aims at voltage amplification. The emitter follower circuit is arranged annexed to the differential amplifier with a pair of Q206 and Q207. (Q206 is for the emitter follower and Q207 is for its constant current driving.) Therefore, impedance fluctuation caused by the speaker loads would not affect the pre-driver stage.

With this pre-driver circuit, stable driving with low distortion is feasible up to high frequency range with smaller phase compensation comparing with conventional high power amplifiers. As for the power supply circuit for class "A" operation sections up to the differential stage, a real automatic voltage regulator is adopted to avoid bad influence which may possibly be caused by the fluctuation of AC mains voltage or the current fluctuation in the power amplifier section.

3) Power Output Circuit

Adopted is a pure complementary push-pull circuit composed by the power transistors of NPN group and PNP group. In order to produce such a high power of 120W/ch, parallel push-pull stages utilizing 4 power transistors designed for high power output are arranged at the final stage. Thus sufficient driving of various type of the speaker systems is feasible.

The parallel configuration of the power transistors at the final stage allows the instant collector-dissipation increase in accordance with the number of the transistor, which produces enough margin, and at the same time makes it possible to utilize better linearity portion of the hfe-ic characteristics of each transistor to lower the distortion characteristic.

Further the quiescent current of 35mA in the single push-pull configuration will be doubled into 70mA in the parallel push-pull configuration, which means the distortion characteristic is improved even at the low output level.

4) Bias Circuit

The adjustment of the quiescent current at the final stage is made by a thermal diode and the transistor Q208. The diode compensates the excessive heat and the temperature drift.

5) Protection Circuit

The OCL circuit, in which the speaker system is directly connected to the amplifier, is ideal in the point that the input signal is delivered most faithfully. But this circuit is always accompanied by the danger that any abnormal factors aroused in the amplifier will be delivered to the speaker system without barrier. On the other hand, electronic components will increase in its number in proportion with improvements of the circuit design, and it is hard to foresee every trouble that may happen, even if the most severe selection is made for the superior components. Necessity is here to have the protection circuits. The most important in the operation of the protection circuitry is reliability and speed. Therefore the sensitivity should be as high as possible in the range of the safety operation.

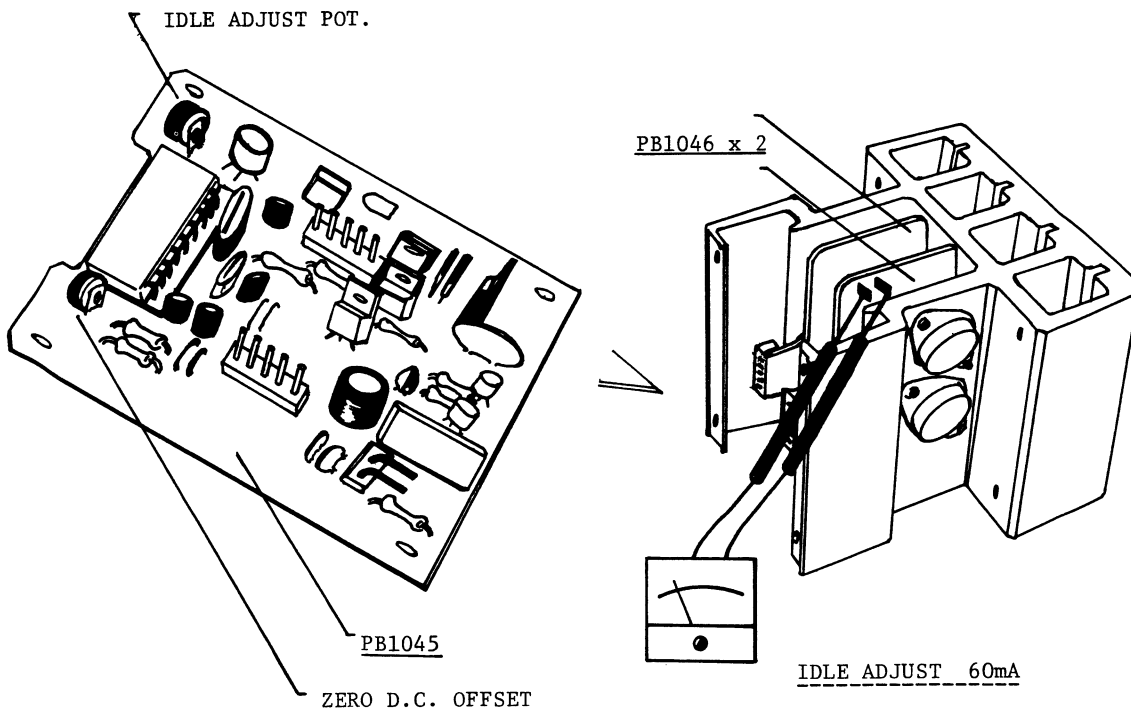
The protection circuits of the M-2000 have to be designed not to be mis-functioned by the current of music reproduction signal. The block diagram will help you understand the outline of the protection circuits.

As to the over-current sensing, when excessive current, which may break the power transistors, appears, the current is once restrained electronically to keep the operation of the power transistors in the S.O.A. (Safe Operation Area). And in case the restraint time lasts over a certain time, the mains power is shut off by fuses.

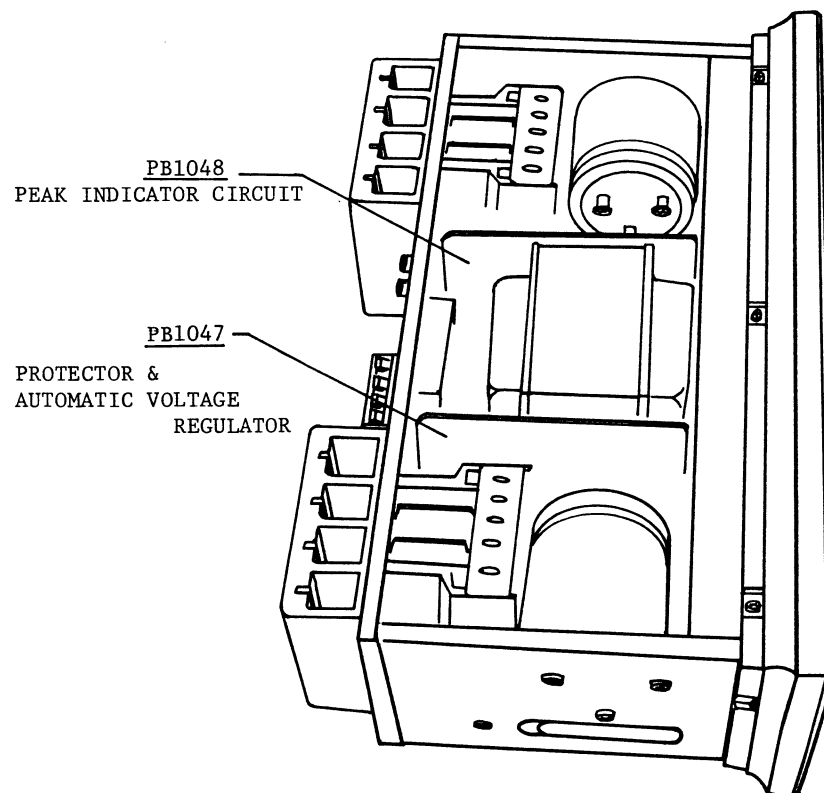
Furthermore, the D.C. Drift Sensing is adopted, which protects the speaker system by cutting off the output when some $\pm 3V$ D.C. is detected at the speaker terminals. This also operates as the muting circuit which protects the speaker system from transient phenomena caused by the AC power being turned on.

Thus the M-2000 is equipped with double protection circuits. One is for protection of speaker systems, and another is for protection of the amplifier.

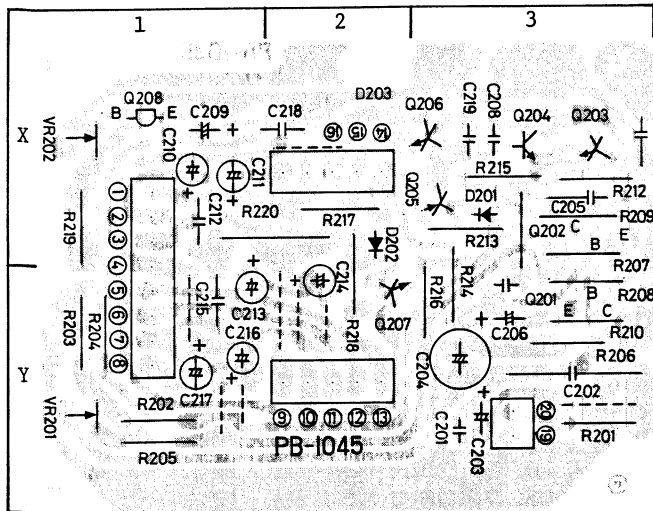
IDLE CURRENT & ZERO DC OFFSET



P.C.B. LOCATION

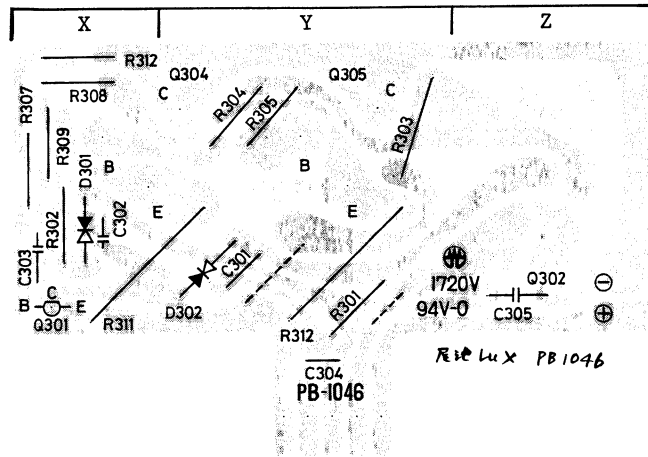


PB-1045



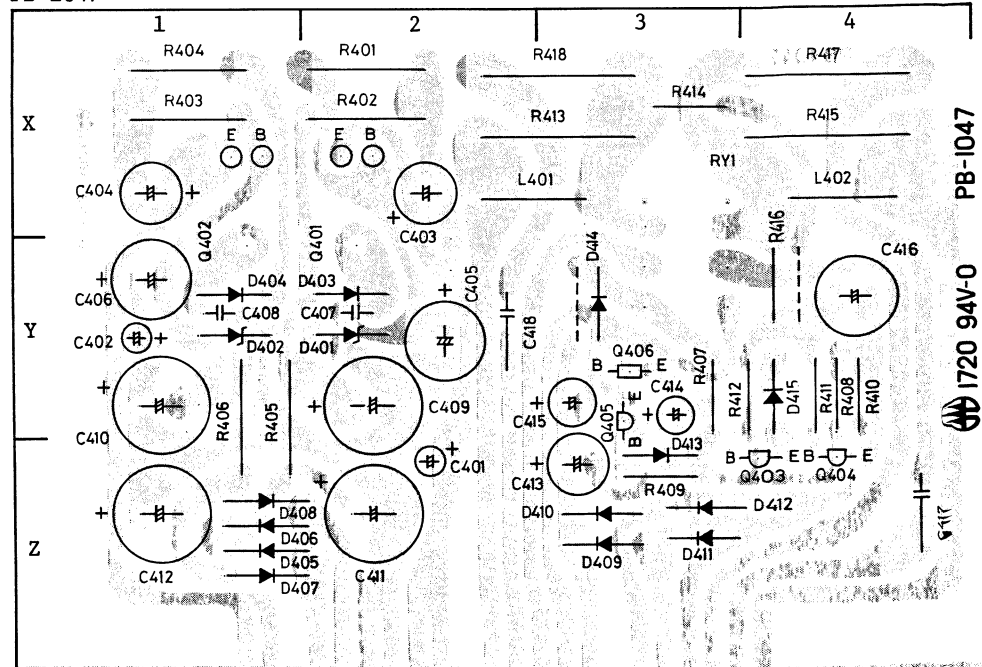
U-748 V0571

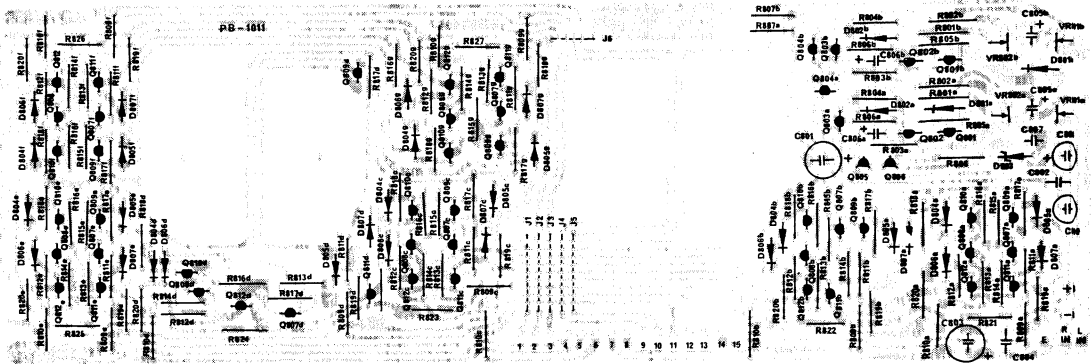
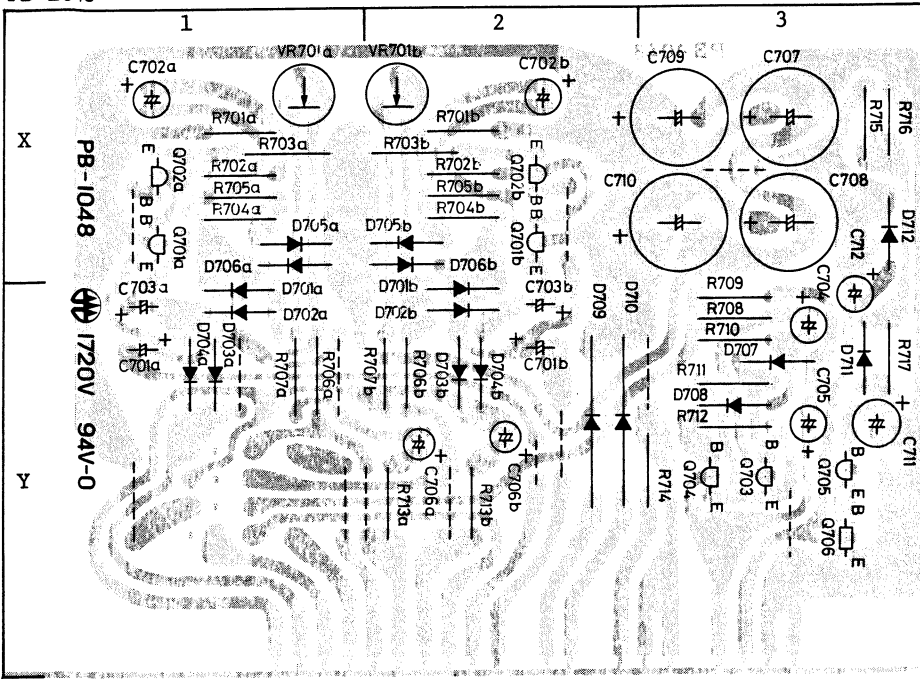
PB-1046



Res Lux PB1046

PB-1047





M-2000 REPLACEMENT PARTS LIST

PB-1045 (Resistors; [±]5%, 1/4W unless otherwise noted.)

R201	4.7K	3Y	R208	3.3K	3Y	R215	150	3X
202	33K 1/2W	1Y	209	3.3K	3X	216	47K	3Y
203	220	1Y	210	1.2K	3Y	217	47K 1/2W	2X
204	220	1Y	212	JAMPER	3X	218	100 1/2W	2Y
205	33K 1/2W	1Y	213	150	3X	219	8.2K	1X
206	56K	3Y	214	47K	3Y	220	10 1W	2X
207	39K	3Y						

(E): electrolytic, (M): mylar, (S): styrol, (P): polyester film,
(T): tantalum, (C): ceramic

C201	220pF	C	3Y	C211	1uF 100V	E	1X
202	1.2uF 250V	P	3Y	212	0.01uF	C	1X
203	10uF 16V	T	3Y	213	1uF 100V	E	1Y
204	33uF 16V	T	3Y	214	1uF 100V	E	2Y
205	470pF	C	3X	215	0.01uF	C	1Y
206	47uF 10V	T	3Y	216	1uF 100V	E	1Y
207	110pF	C	3Y	217	1uF 100V	E	1Y
208	33pF	C	3X	218	0.047uF 50V	M	2X
209	47uF 10V	E	1X	219	100pF 500V	C	3X
210	1uF 100V	E	1X				

Q201	2SA931	3Y	Q205	2SA839	3X
202	2SA931	3X	206	2SC1507	3X
203	2SC1507	3X	207	2SC1507	2Y
204	2SC1507	3X	208	2SC945	1X

D201	VD-1221	3X
202	VD-1221	2X
203	SV-03	2X

PB-1046 (Resistors; [±]5%, 1/4W unless otherwise noted.)

R301	220	Y	R308	100	X
302	1.5K	X	309	100	X
303	100 1W	Y	311	0.33 5W	X-Y
304	15 1/2W	Y	312	0.33 5W	Y
305	15 1/2W	Y			
307	220	X			

C301	2200pF	M	Y
302	4.7pF	C	X
303	0.02uF	M	X
304			Y
305	0.1uF 250V	C	Z

Q301	2SC945 or 2SA733	X	D301a	1S1555
302	2SC1431 or 2SA762	Z	301b	1S1555
304	2SD427 or 2SB557	Y	302a	1S1555
305	2SD427 or 2SB557	Y	302b	1S1555

PB-1047

R401	15K 1W	2X	R407	82K	3Y	R413	10 2W	3X
402	5.6K 1W	2X	408	10K	4Y	414	8.2K	3X
403	15K 1W	1X	409	150K	3Z	415	10 2W	4X
404	5.6K 1W	1X	410	1K	4Y	416	8.2K	4Y
405	150 1W	1Y	411	3.3K	4Y	417	4.7 5W	4X
406	150 1W	1Y	412	1.5K	4Y	418	4.7 5W	3X

PB-1047

C401	1uF	100V	E	2Z	C410	100uF	100V	E	1Y
402	1uF	100V	E	1Y	411	100uF	100V	E	2Z
403	220uF	16V	E	2X	412	100uF	100V	E	1Z
404	220uF	16V	E	1X	413	47uF	50V	E	3Z
405	100uF	63V	E	2Y	414	10uF	10V	E	3Y
406	100uF	63V	E	1Y	415	10uF	50V	E	3Y
407	100pF		C	2Y	416	100uF	25V	E	4Y
408	100pF		C	1Y	417	4.7uF	50V	E	4Z
409	100uF	100V	E	2Y	418	0.1uF	100V	C	2Y

Q401	2SD382	2X	Q404	2SC945	4Z
402	2SB537	1X	405	2SC945	3Y
403	2SC945	4Z	406	2SC945	3Y

D401	1N4558A	2Y	D409	1N4003	3Z	L401	2.2uH	2X-3X
402	1N4558A	1Y	410	1N4003	3Z	402	2.2uH	4X
403	1N4001	2Y	411	1N4003	3Z			
404	1N4001	1Y	412	1N4003	3Z			
405	1N4003	1Z	413	1K188	3Z			
406	1N4003	1Z	414	1N4001	3Y			
407	1N4003	1Z	415	1K188	4Y			
408	1N4003	1Z						

PB1048

R701a	22K	1X	R706a	56K	1Y	R714	1.5K	3Y
701b	22K	2X	706b	56K	2Y	715	8.2K	3X
702a	10K	1X	707a	47K	1Y	716	1.5K	3X
702b	10K	2X	708	1.2K	3Y	717	100K	3Y
703a	100	1X	709	33K	3Y			
703b	100	2X	710	47K	3Y			
704a	33K	1X	711	1.2M	3Y			
704b	33K	2X	712	1.2M	3Y			
705a	1.8K	1X	713a	18K	2Y			
705b	1.8K	2X	713b	18K	2Y			

C701a	4.7uF	10V	T	1Y	C706a	22uF	10V	E	2Y
701b	4.7uF	10V	T	2Y	706b	22uF	10V	E	2Y
702a	10uF	50V	E	1X	707	220uF	35V	E	3X
702b	10uF	50V	E	2X	708	220uF	35V	E	3X
703a	4.7uF	25V	T	1Y	709	220uF	35V	E	3X
703b	4.7uF	25V	T	2Y	710	220uF	35V	E	3X
704	10uF	25V	E	3Y	711	33uF	25V	E	3Y
705	10uF	25V	E	3Y	712	10uF	50V	E	3Y

Q701a	2SC945	1X	Q703	2SC945	3Y
701b	2SC945	2X	704	2SC945	3Y
702a	2SC945	1X	705	2SC945	3Y
702b	2SC945	2X	706	2SC1940	3Y

D701a	WG-713 or 1S1555	1Y	D704a	WG-713 or 1S1555	1Y	D707	WG-713 or 1S1555	3Y
701b	WG-713 or 1S1555	2Y	704b	WG-713 or 1S1555	2Y	708	WG-713 or 1S1555	3Y
702a	WG-713 or 1S1555	1Y	705a	WG-713 or 1S1555	1X	709	1N4003	2Y
702b	WG-713 or 1S1555	2Y	705b	WG-713 or 1S1555	2X	710	1N4003	2Y
703a	WG-713 or 1S1555	1Y	706a	WG-713 or 1S1555	1X	711	1K188	3Y
703b	WG-713 or 1S1555	2Y	706b	WG-713 or 1S1555	2X	712	1N4002	3X

VR701a	100K-B	1X
701b	100K-B	2X

PB-1011

R801 a,b	180K	±5%	R821	562	±1%	Q804a,b	2SA561
802 a,b	4.7K	"	822	392	"	805a,b	2SC734
803 a,b	22K	"	823	280	"	806	2SC734
804 a,b	82K	"	824	196	"	807 a-g	2SA561
805 a,b	10K	"	825	140	"	808 a-g	2SA561
806 a,b	18K	"	826	97.6	"	809 a-g	2SC734
807 a,b	6.8K	"	827	239	"	810 a-g	2SC734
808	2.7K	"				811 a-g	2SC734
809 a-g	820	"	C801	100uF 35V	E	812 a-g	2SC734
810 a-g	820	"	802	0.1uF	C		
811 a-g	1.2M	"	803	100uF 35V	E	D801 a,b	wG713
812 a-g	1.2M	"	804	0.1uF	E	802 a,b	WG713
813 a-g	1K	"	805a,b	4.7uF 25V	T	803	BZ192
814 a-g	1K	"	806a,b	1uF 25V	T	805 a-g	WG713
815 a-g	4.7K	"	807a,b	0.022uF	M	806 a-g	WG713
816 a-g	4.7K	"	808	10uF 25V	E	807 a-g	WG713
817 a-g	56K	"	809	10uF 25V	E	808 a-g	WG713
818 a-g	56K	"	Q801a,b			VR801 a,b	47K-B
819 a-g	22K	"	802a,b			802 a,b	1K-B
820 a-g	22K	"	803a,b				

PB-1012

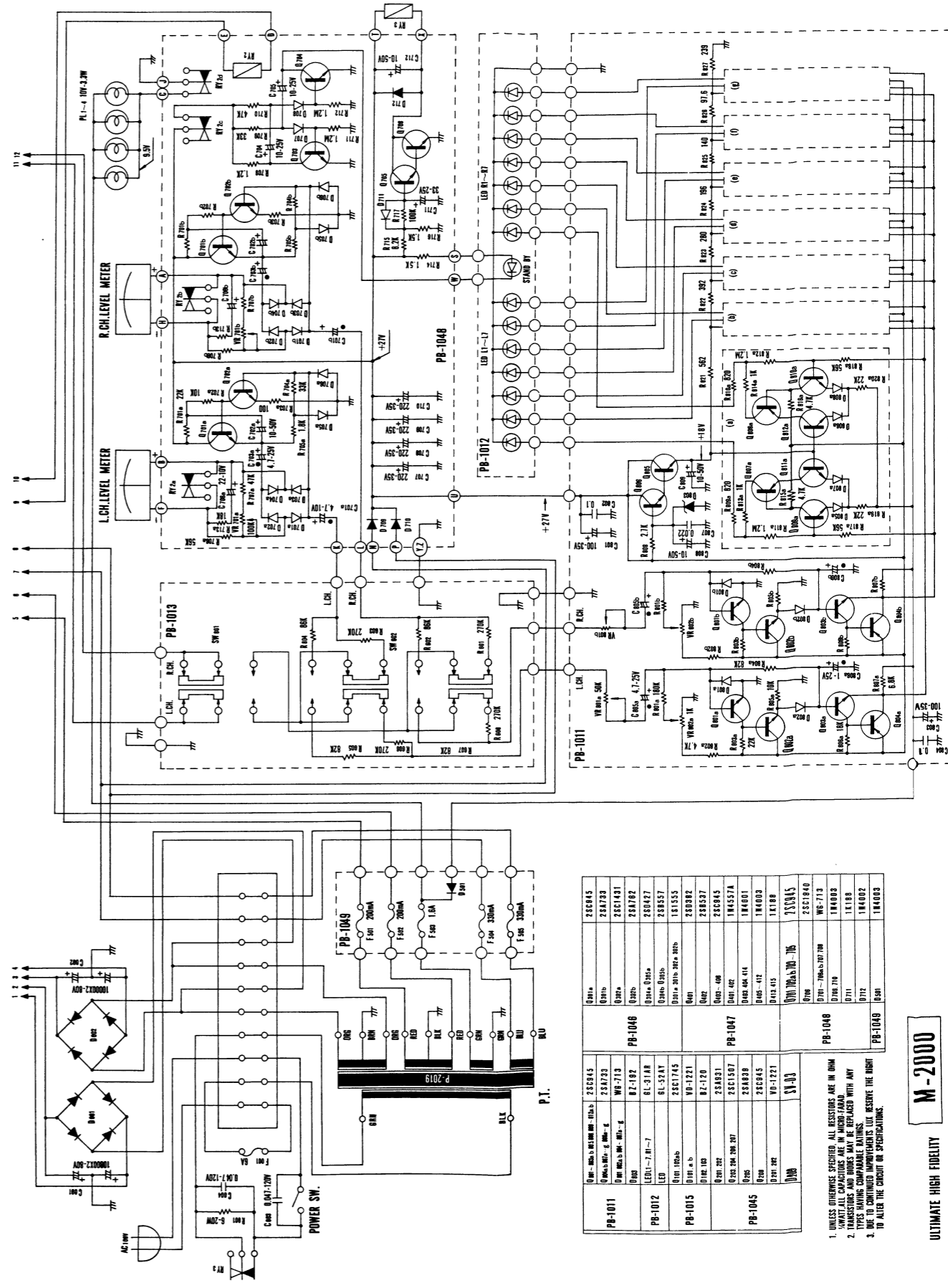
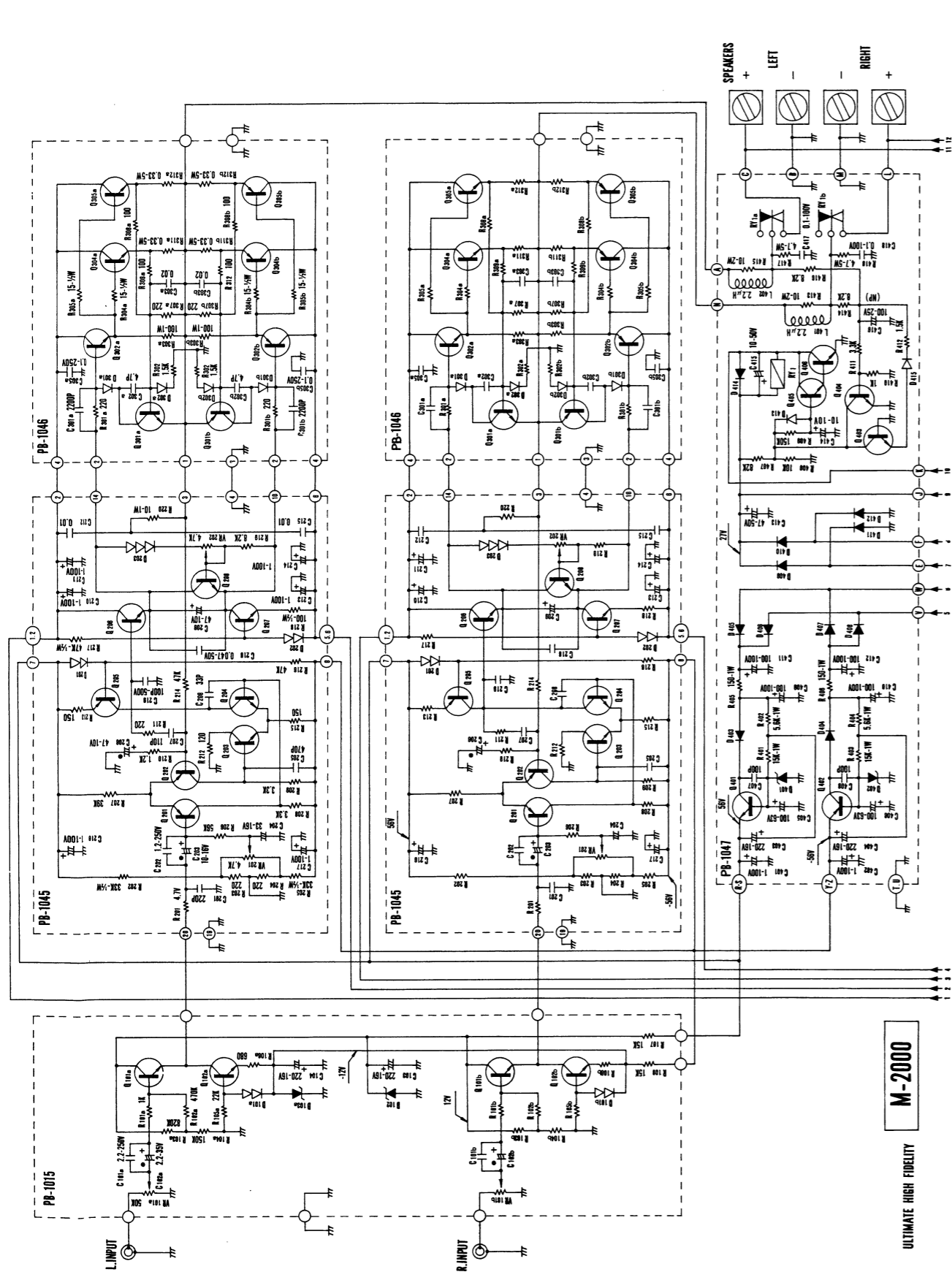
LED L1 - 7	GL-31AR
R1 - 7	GL-31AR
LED	GL-52AY

PB-1015

R101 a,b	50K	C101 a,b	2.2uF 250V	P	D101 a,b	VD1221
102 a,b	470K	102 a,b	2.2uF 35V	P	102	BZ120
103 a,b	820K	103	220uF 16V	E	103	BZ120
104 a,b	150K	104	220uF 16V	E	VR101 a,b	50K-B
105 a,b	22K	Q101 a,b				
106 a,b	680	102 a,b	2SC1745			
107	15K		2SC1745			
108	15K					

PB-1049

D501	1N4003
------	--------



Part No.	Value	Part No.	Value
25C2845	1K	25C1840	100K
25X720	100K	25C1841	100K
25C1842	100K	25C1843	100K
25C1844	100K	25C1845	100K
25C1846	100K	25C1847	100K
25C1848	100K	25C1849	100K
25C1850	100K	25C1851	100K
25C1852	100K	25C1853	100K
25C1854	100K	25C1855	100K
25C1856	100K	25C1857	100K
25C1858	100K	25C1859	100K
25C1860	100K	25C1861	100K
25C1862	100K	25C1863	100K
25C1864	100K	25C1865	100K
25C1866	100K	25C1867	100K
25C1868	100K	25C1869	100K
25C1870	100K	25C1871	100K
25C1872	100K	25C1873	100K
25C1874	100K	25C1875	100K
25C1876	100K	25C1877	100K
25C1878	100K	25C1879	100K
25C1880	100K	25C1881	100K
25C1882	100K	25C1883	100K
25C1884	100K	25C1885	100K
25C1886	100K	25C1887	100K
25C1888	100K	25C1889	100K
25C1890	100K	25C1891	100K
25C1892	100K	25C1893	100K
25C1894	100K	25C1895	100K
25C1896	100K	25C1897	100K
25C1898	100K	25C1899	100K
25C1900	100K	25C1901	100K
25C1902	100K	25C1903	100K
25C1904	100K	25C1905	100K
25C1906	100K	25C1907	100K
25C1908	100K	25C1909	100K
25C1910	100K	25C1911	100K
25C1912	100K	25C1913	100K
25C1914	100K	25C1915	100K
25C1916	100K	25C1917	100K
25C1918	100K	25C1919	100K
25C1920	100K	25C1921	100K
25C1922	100K	25C1923	100K
25C1924	100K	25C1925	100K
25C1926	100K	25C1927	100K
25C1928	100K	25C1929	100K
25C1930	100K	25C1931	100K
25C1932	100K	25C1933	100K
25C1934	100K	25C1935	100K
25C1936	100K	25C1937	100K
25C1938	100K	25C1939	100K
25C1940	100K	25C1941	100K
25C1942	100K	25C1943	100K
25C1944	100K	25C1945	100K
25C1946	100K	25C1947	100K
25C1948	100K	25C1949	100K
25C1950	100K	25C1951	100K
25C1952	100K	25C1953	100K
25C1954	100K	25C1955	100K
25C1956	100K	25C1957	100K
25C1958	100K	25C1959	100K
25C1960	100K	25C1961	100K
25C1962	100K	25C1963	100K
25C1964	100K	25C1965	100K
25C1966	100K	25C1967	100K
25C1968	100K	25C1969	100K
25C1970	100K	25C1971	100K
25C1972	100K	25C1973	100K
25C1974	100K	25C1975	100K
25C1976	100K	25C1977	100K
25C1978	100K	25C1979	100K
25C1980	100K	25C1981	100K
25C1982	100K	25C1983	100K
25C1984	100K	25C1985	100K
25C1986	100K	25C1987	100K
25C1988	100K	25C1989	100K
25C1990	100K	25C1991	100K
25C1992	100K	25C1993	100K
25C1994	100K	25C1995	100K
25C1996	100K	25C1997	100K
25C1998	100K	25C1999	100K

- UNLESS OTHERWISE SPECIFIED ALL RESISTORS ARE IN OHMS
- TRANSISTORS AND DIODES ARE IN MICRO-FARADS
- USE TO OBTAIN IMPROVED PERFORMANCE USE RESERVE THE RIGHT TO ALTER THE CIRCUIT ON SPECIFICATIONS.